

6 Tonne Power Swivel Cabbed

KEY FEATURES & BENEFITS - MACH2462



The Thwaites 6 Tonne Power Swivel Cabbed, Stage V dumper is manufactured with contractors and hirers in mind – ensuring operator safety, reducing risk on site and improving performance.

The cab is impact tested to level 2 ROPS 3471 and FOPS 3449. As such all Thwaites cabbed dumpers are approved for use by the UK Major Contractors Group. The Power Swivel skip enables a 90° rotation left and right, allowing the machine easier access to tip loads in restricted areas, giving the operator greater control and reducing risk on site.

Powered by a 3.3L Yanmar turbo diesel engine fitted with a DPF to comply with EU Stage V emission regulations, you benefit from 53.7 kW peak power, 295 Nm of torque and no AdBlue requirement. Thwaites cabbed dumpers are available in a range of further sizes to suit your needs:

- › 6 Tonne Front Tip Cabbed
- › 9 Tonne Front Tip Cabbed

A Spring Activated Hydraulic Release (SAHR) Handbrake, 5" screen displaying 150° around machine visibility, hi-vis steps, full LED road lights and twin LED beacons are fitted as standard, with a GPS speedo, rear wiper and adjustable work lights available as optional extras.



Safe, compliant and competitive.

This QR code will take you to a short and informative machine walkaround



Thwaites

Thwaites Ltd, Leamington Spa,
Warwickshire, CV32 7NQ, England
Tel +44 (0)1926 422471

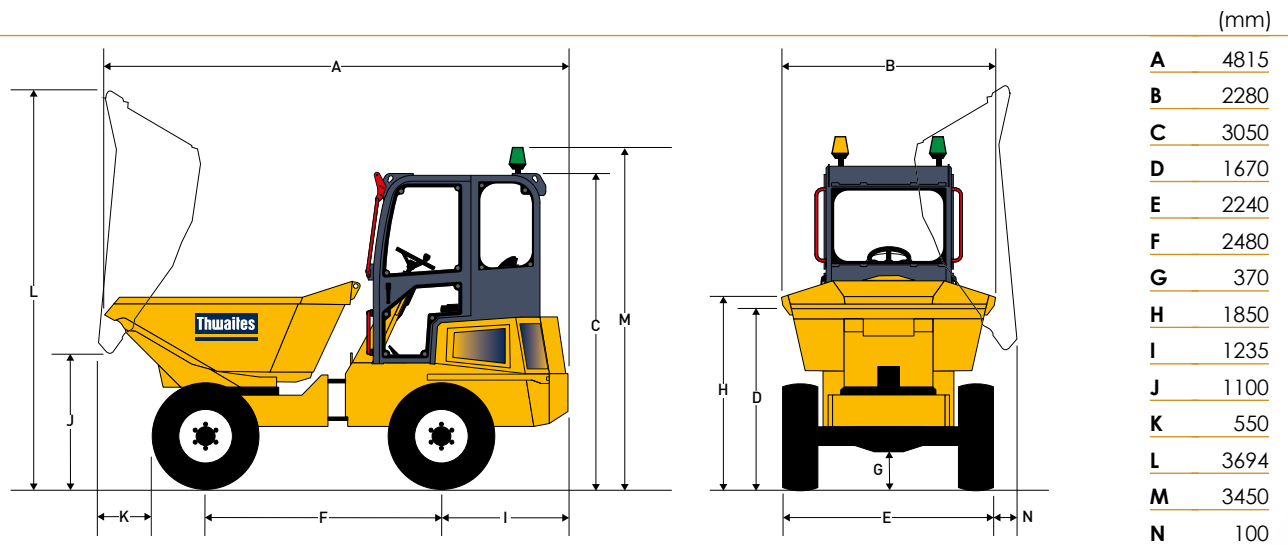
www.thwaitesdumpers.co.uk



GET THE JOB DONE.

6 Tonne Power Swivel Cabbed

DIMENSIONS & SPECIFICATIONS - MACH2462



Weight	Unladen	4750 kg
	Shipping	4626 kg

Capacities	Max safe load	6000 kg
	Heaped	3150 litres
	Struck	2550 litres
	Water	1650 litres

Engine

- > Yanmar 4TNV98CT, water-cooled, 4-cylinder, fuel injected turbo diesel with after treatment Diesel Particulate filter
- > Power 53.7 kW/ 72 bhp at 2100 rpm
- > Torque 295 Nm (217.5 lbf ft)

Noise Levels

- > Operator's ear 84 LpA / airborne level 101 LwA

Transmission

- > Hydrostatic with high/low speed range, column mounted directional control lever and inching facility

Speeds	Forward and Reverse	
	1	6.1 km/h (3.7 mph)
	2	25 km/h (15.5 mph)

Tyres	405/70 - 20
	Load/Speed Index - 142 A8

Brakes and Axles

- > Totally enclosed multiplate oil-immersed discs mounted on rear axle & auto wear adjustment
- > Hand operated parking brake (SAHR)

Kinglink Chassis

- > Constructed from folded steel plate, with three point Kinglink giving articulation and oscillation for better stability, traction and safety on site

Skip

- > Hydraulically operated, 8mm steel base plate
- > Skip mouth & sides reinforced with box sections
- > Power Swivel skip enables a 180° rotation

Seating & Controls

- > Adjustable suspension seat with high-vis seat belt
- > Clear operators display unit contains all warning lamps

Service Access

- > Lockable engine cover provides access to the engine
- > Keyless lockable side covers for ground level service points

Electrics

- > Fuse & relay are housed on a central power distribution board
- > Main harness is fully enclosed in solid conduit and incorporates the engine diagnostic port

Steering and Hydraulics

- > Hydraulic power steering
- > Return line filtration for all services
- > Hydraulic test point fitted as standard

Tank Capacities	Fuel	72 litres
	Hydraulic	50 litres

Turning Circle	16.6m
----------------	-------

Standard Equipment

- > Full LED road lighting incl. DRL (Daylight Running Lights)
- > Camera and dashpanel monitor
- > LED beacons
- > Fan guard
- > Reverse alarm
- > Air conditioning
- > Screen guard

Optional Equipment

- > Adjustable work lights
- > Air suspension seat
- > Rear wiper system,
- > Wheel nut indicator
- > GPS speedometer
- > USB socket

Thwaites

Thwaites Ltd, Leamington Spa,
Warwickshire, CV32 7NQ, England
Tel +44 (0)1926 422471

www.thwaitesdumpers.co.uk



Images are representative, but specific details or equipment may vary by country. We reserve the right to change any and all specifications without prior notice. 02/2024